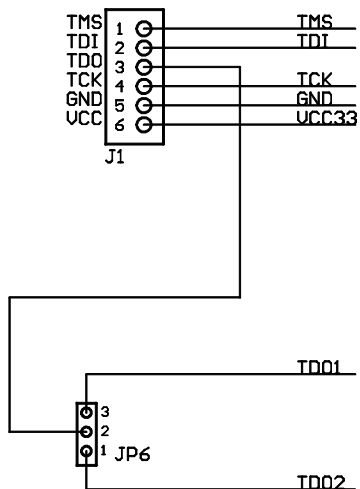
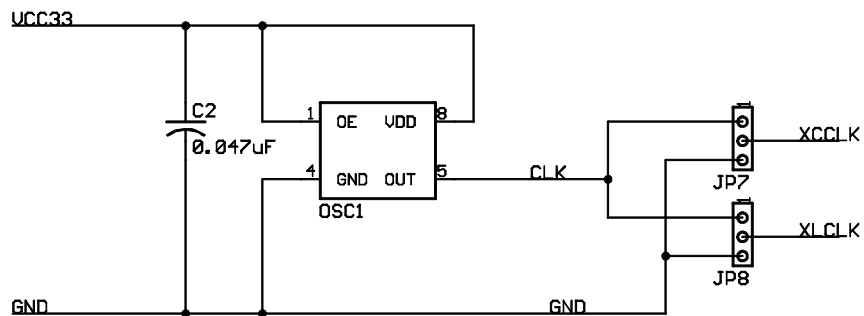


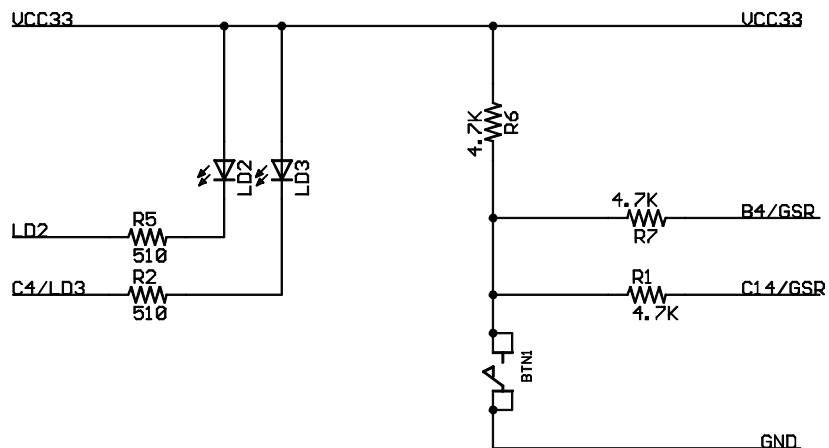
External JTAG Interface



Clock Oscillator



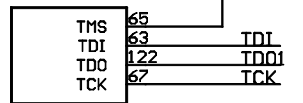
Miscellaneous I/O



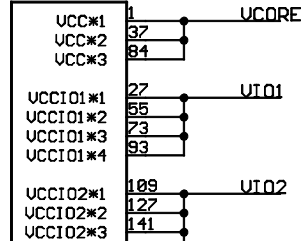
Digilab XC2-XL	
Copyright 2002, 2003, Digilent Inc.	
TITLE: XC2XL	Author: GMA
Document Number: 500-020	Rev: B
Release Date: 09/08/2003	Sheet:1/5

TMS UCC33

Xilinx CoolRunner 2



JTAG Interface



Power

I00103/GSR	143	B4/GSR
I00104	142	B5
I00106	140	B6
I00112	139	B7
I00113	138	B8
I00114	137	B9
I00201/GTS2	2	A40
I00203/GTS3	3	A39
I00204	4	A38
I00205/GTS0	5	A37
I00212/GTS1	6	A36
I00213	7	A35
I00214	9	A34
I00215	10	A33
I00301	136	B10
I00302	135	B11
I00303	134	B12
I00305	133	B13
I00314	132	B14
I00316	131	B15
I00401	11	A32
I00402	12	A31
I00403	13	A30
I00404	14	A29
I00405	15	A28
I00406	16	A27
I00412	17	A26
I00414	18	A25

FB 1-4

IC2  
XC2C256/144-TQ144

I00502	33	A12
I00504/GCK1	32	A13
I00505	31	A14
I00506/GCK0	30	A15
I00514	28	A16
I00601	34	A10
I00602/CDRST	35	A11
I00604/GCK2	38	XCCLK
I00612/DGE	39	A7
I00613	40	A8
I00614	41	A6
I00615	42	A5
I00616	43	A4
I00705	26	A17
I00706	25	A18
I00711	24	A19
I00712	23	A20
I00713	22	A21
I00714	21	A22
I00715	20	A23
I00716	19	A24
I00801	44	D40
I00802	45	D39
I00803	46	D38
I00805	48	D37
I00806	49	D36
I00811	50	D35
I00812	51	D34
I00813	52	D33

FB 5-8

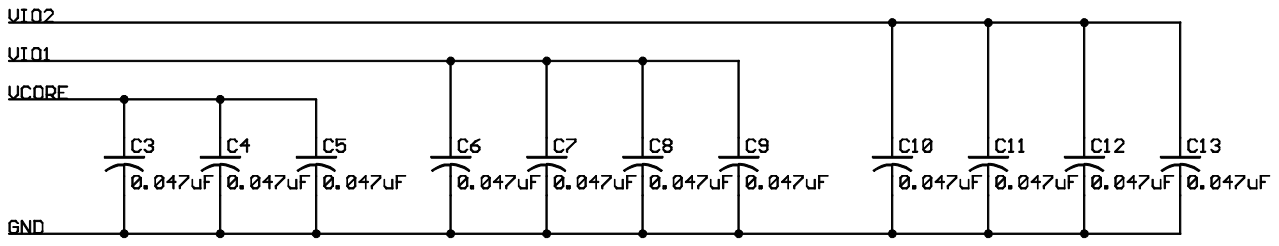
I00901	112	B31
I00902	113	B30
I00904	114	B29
I00906	115	B28
I00912	116	B27
I00913	117	B26
I00914	118	B25
I00915	119	B24
I01001	111	B32
I01002	110	B33
I01003	107	B34
I01004	106	B35
I01005	105	B36
I01006	104	B37
I01012	103	B38
I01014	102	B39
I01016	101	B40
I01105	120	B23
I01106	121	B22
I01111	124	B21
I01112	125	B20
I01113	126	B19
I01114	128	B18
I01115	129	B17
I01116	130	B16
I01202	100	
I01211	98	
I01212	97	
I01213	96	
I01214	95	
I01215	94	

FB 9-12

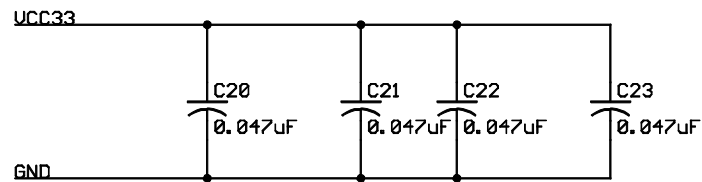
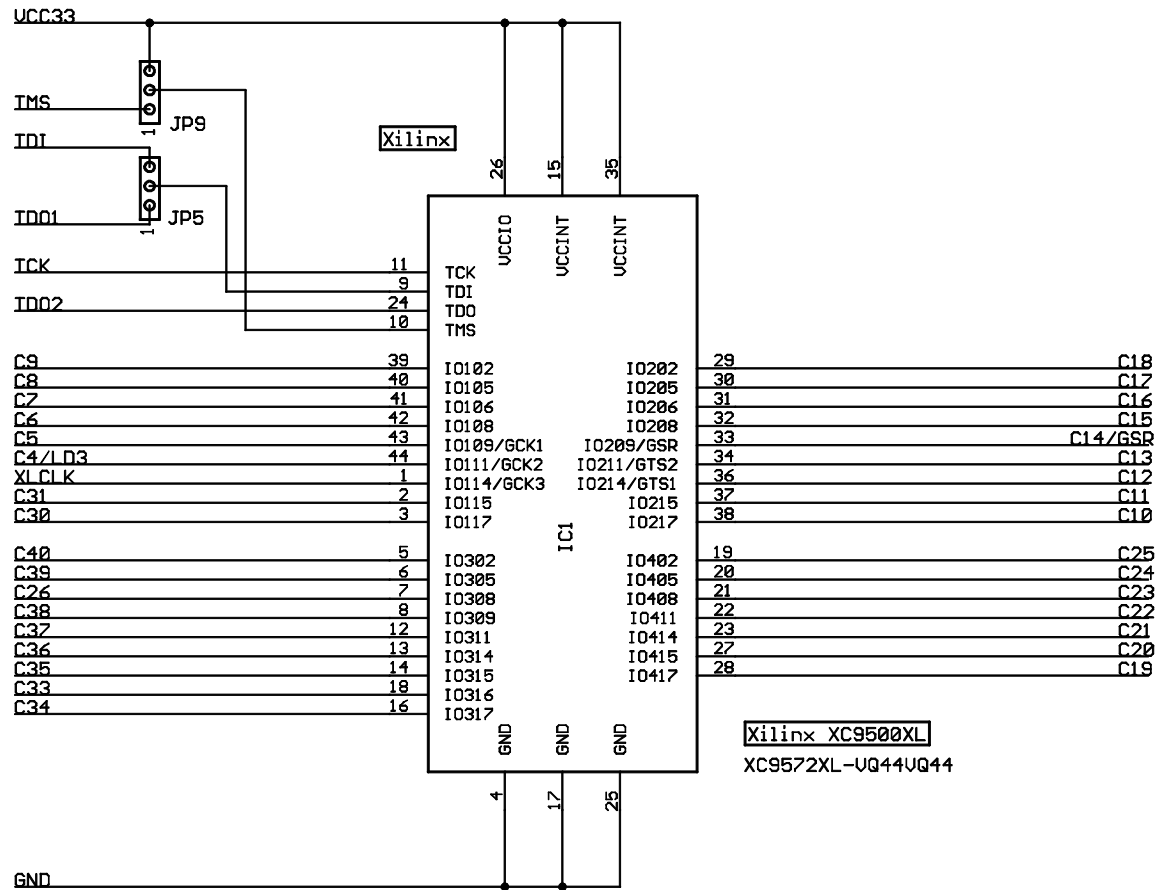
I01301	75	D17
I01302	76	D16
I01303	77	D15
I01305	78	D14
I01306	79	D13
I01312	80	D12
I01313	81	D11
I01314	82	D10
I01401	74	D18
I01402	71	D19
I01403	70	D20
I01404	69	D21
I01406	68	D22
I01413	66	D23
I01414	64	D24
I01416	61	D25
I01502	83	D9
I01511	85	D8
I01512	86	D7
I01513	87	D6
I01514	88	D5
I01515	89	D4
I01516	92	D2
I01605	60	D26
I01606	59	D27
I01611	58	D28
I01612	57	D29
I01613	56	D30
I01615	54	D31
I01616	53	D32

FB 13-16

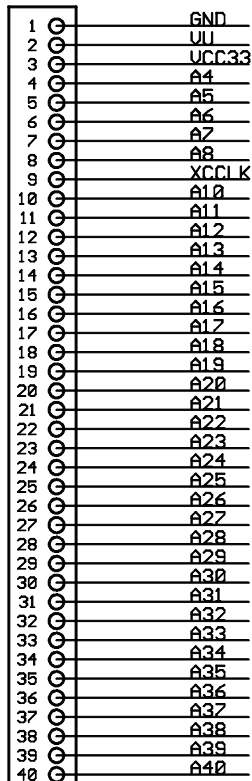
CPLD Power Decoupling



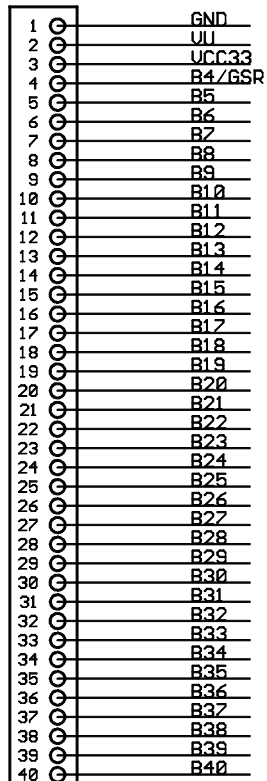
Digilab XC2-XL	
Copyright 2002, 2003, Digilent Inc.	
TITLE: XC2XL	Author: GMA
Document Number: 500-020	Rev: B
Release Date: 09/08/2003	Sheet: 2/5



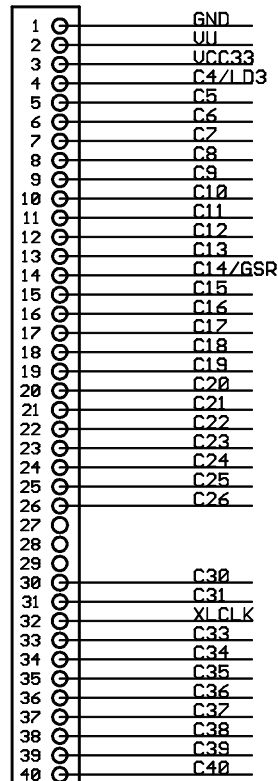
Digilab XC2-XL Copyright 2002, 2003, Digilent Inc.	
TITLE: XC2XL	Author: GMA
Document Number: 500-020	Rev: B
Release Date: 09/08/2003	Sheet: 3/5



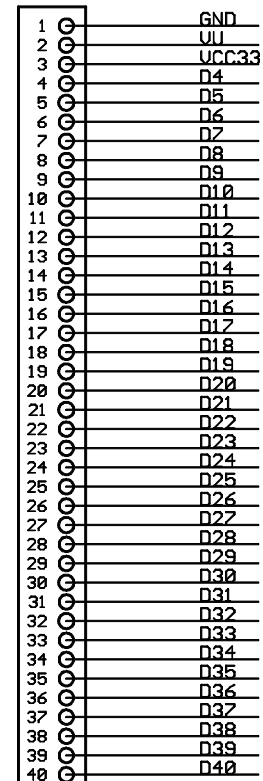
J3



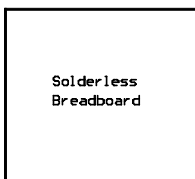
J4



J5



J6

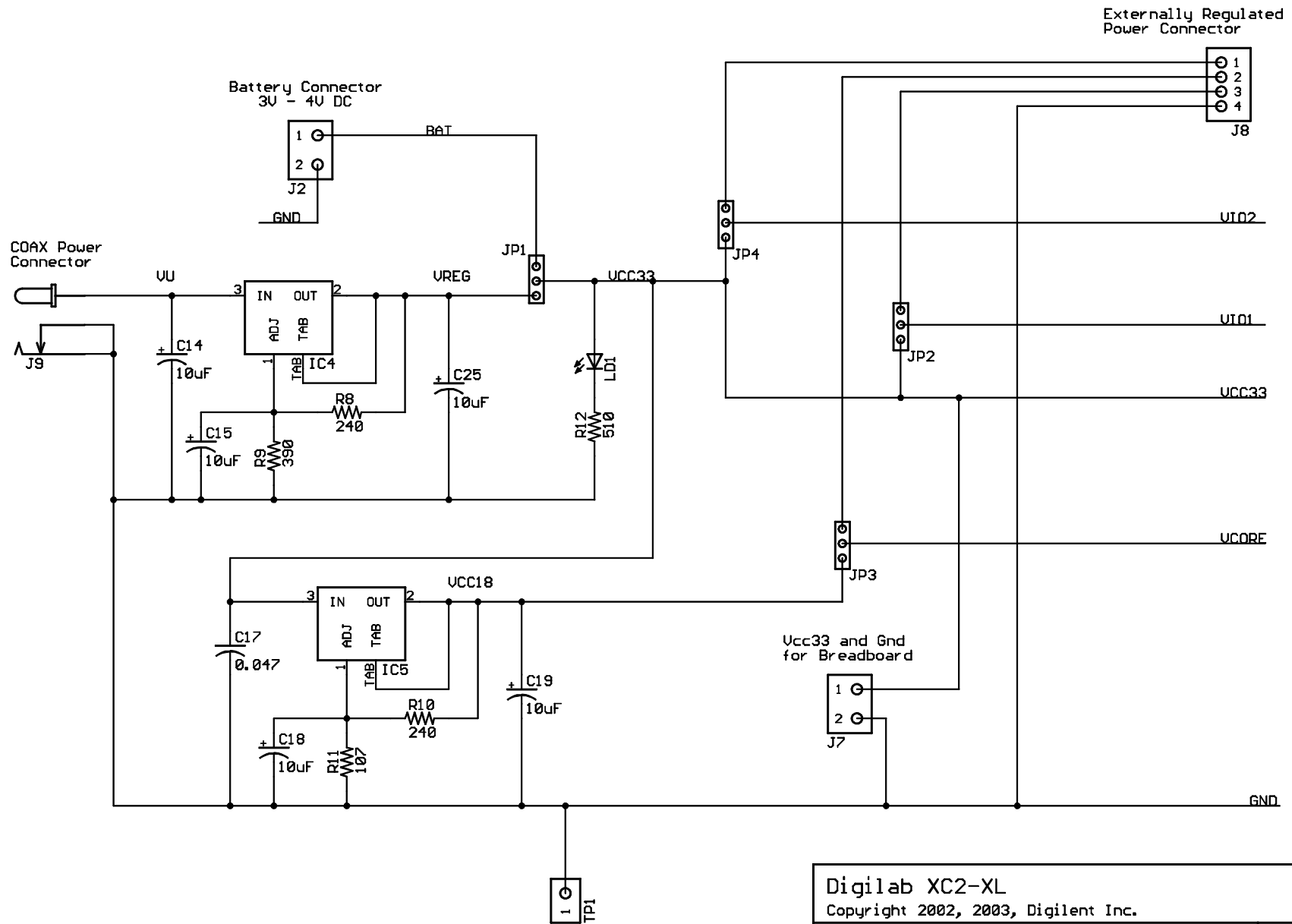


BB1 EIC-501

Digilab XC2-XL

Copyright 2002, 2003, Digilent Inc.

TITLE: XC2XL	Author: GMA
Document Number: 500-020	Rev: B
Release Date: 09/08/2003	Sheet: 4/5



Digilab XC2-XL	
Copyright 2002, 2003, Digilent Inc.	
TITLE: XC2XL	Author: GMA
Document Number: 500-020	Rev: B
Release Date: 09/08/2003	Sheet: 5/5